



BY HEATRAESADIA



DATA SHEET

Megaflo Eco Plus Flexistor Cylinder

The new Flexistor cylinders can be used in a whole host of applications - including installations requiring buffer vessels. This flexibility will also allow the specifier or installer to choose a new Flexistor unvented kit to match their requirements if necessary.

As well as bosses to accommodate immersion heaters if required, the all new Flexistor cylinders are fitted with flow and return connections to facilitate various heat sources, such as a heat pump via a plate to plate heat exchanger.

For peace of mind the Megaflo Flexistor range is backed by a 30 year warranty.



140 l/min at 3.5 bar	Max 12 kW	Max 24 kW	5	100 mm
MAX FLOW	AUXILIARY HEAT SOURCE (400-570L)	AUXILIARY HEAT SOURCE (800-1000L)	CAPACITIES AVAILABLE	INSULATION



FEATURES

- 400 to 1000 litre capacities
- 100mm high performance insulation
- Choice of 3kW (400-570L) or 6kW (800-1000L) auxiliary immersion
- Up to 140 litres per minute hot water delivery
- Backed by a 30 year warranty package

BENEFITS

- Wide range of capacities, ideal for large residential and commercial applications
- Highly insulated for minimal heat loss
- Provides system flexibility
- Exceptional performance, even in the most demanding situations
- For peace of mind

*In domestic installations only

Megaflo Eco Plus Flexistor Cylinder

SPECIFICATIONS

PRODUCT CODE	7038361	7038362	7038363	7038364	7038365
Volume (litres)	400	500	570	800	1000
Height (mm)	1502	1802	1997	1923	2318
Diameter (mm)	872	872	872	1024	1024
Weight (dry kg)	81	88	92	155	215
Weight (normal full kg)	481	588	662	955	1215
Insulation thickness (mm)	100	100	100	100	100
T&P tapping (inches)	¾	¾	¾	¾	¾
T&P pressure setting (bar)	10	10	10	10	10
T&P temperature setting (°C)	90	90	90	90	90
Pressure reducing valve (bar)	3.5	3.5	3.5	3.5	3.5
Pressure (expansion) relief setting (bar)	8	8	8	8	8
Maximum secondary working pressure	8	8	8	8	8
Standing heat loss per day (kWh/24h)	1.72	2.14	2.44	2.74	3.33
Standing heat loss per year (kWh/year)	627	781	890	1000	1215
Global warming potential	3.1	3.1	3.1	3.1	3.1
Flow inlet (inches)	1	1	1	1	1
Return outlet (inches)	1	1	1	1	1
Cold water inlet (inches)	1	1	1	1	1
Hot water outlet (inches)	1	1	1	1	1
Electrical heater bosses inc blanks	4	4	4	4	4
Maximum auxiliary immersion rating (kW)	12	12	12	24	24
Auxiliary heat up times based on max immersion input (mins)	105	131	150	95	117
Cylinder material	Duplex	Duplex	Duplex	Duplex	Duplex
Auxiliary immersions not supplied	3kW @ 240v	3kW @ 240v	3kW @ 240v	6kW @ 240v	6kW @ 240v

AUXILIARY IMMERSIONS SUPPLIED TO ORDER

PRODUCT CODE	7038490	7038491
	3kW	6kW

ErP DATA

MODEL	400	500	570	800	1000
Energy efficiency class	B	C	C	C	C
Standing loss (W)	72.0	89.0	102.0	114.0	139.0
Storage volume (litres)	400	500	570	800	1000

UNVENTED KITS SUPPLIED TO ORDER

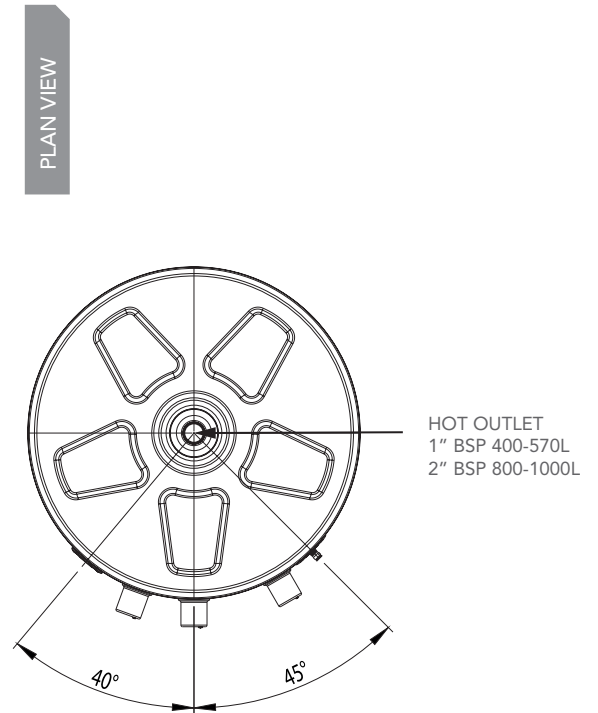
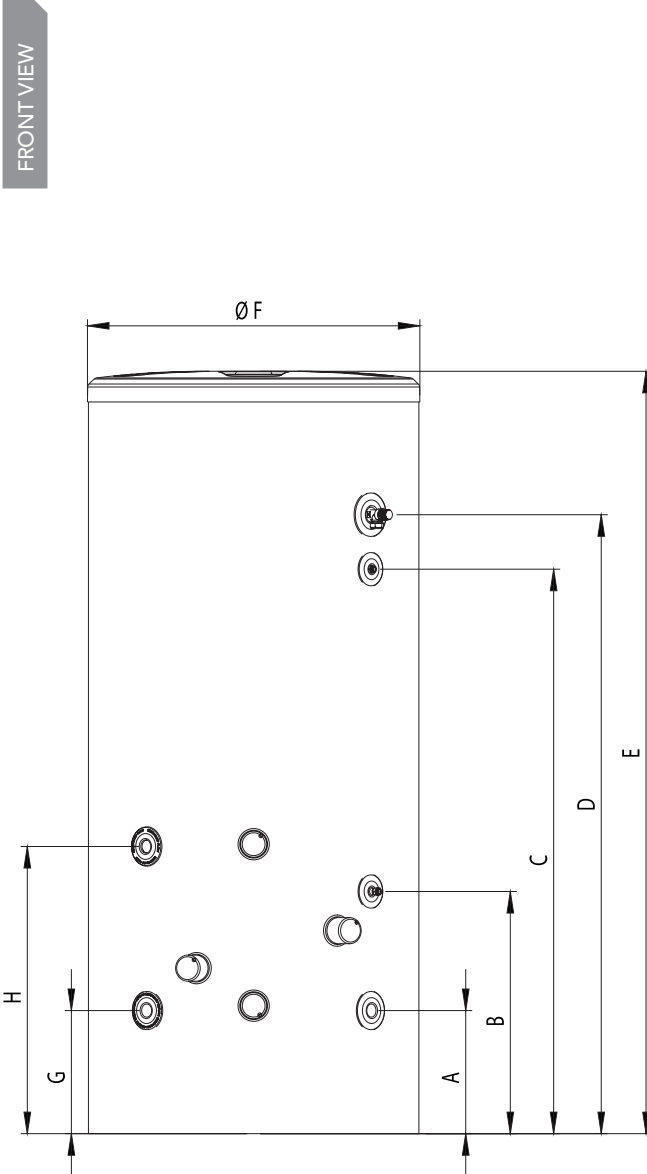
PRODUCT CODE	7038492			7038493	
Model (litres)	400	500	570	800	1000
Unvented Kit with 35L expansion	•	•	•		
Unvented Kit with 60L expansion				•	•

ACCESSORIES

DESCRIPTION	PART NUMBER
De-Stratification loop kit - 400-1000 litre	95970140

DIMENSIONS

Model		400L	500L	570L	800L	1000L
A cold inlet	1" BSP	309	309	309	502	502
B sensor pocket	½" BSP	649	649	649	744	744
C sensor pocket	½" BSP	939	1229	1394	1009	1217
D T&P	¾" BSP	1119	1419	1614	1263	1687
E height	N/A	1533	1817	2012	1502	1897
F diameter	N/A	872	872	872	1024	1024
G secondary return	1" BSP	309	309	309	880	880
H secondary flow	1" BSP	719	719	719	1906	2301





BY HEATRAESADIA



DATA SHEET

Megaflo Eco Plus Flexistor Cylinder

CODES OF PRACTICE/LEGISLATION

EU Directives:

- Pressure Equipment Directive 97/23/EC.
- Low Voltage Directive (LVD) 2014/30/EU.
- RoHS (Restriction of certain Hazardous Substances) Directive 2011/65/EU.
- Electromagnetic Compatibility (EMC) Directive 2014/35/EU.

Legislation:

- Water Supply (Water Fittings) Regulations (England and Wales).
- The Water Byelaws 2004 (Scotland).
- Water Supply (Water Fittings) Regulations (Northern Ireland).

Standards:

- Relevant clauses of the following standards are complied with:
- EN 12897 - Specification for indirectly heated unvented cylinders.
- Safety-Particular requirements for storage water heaters:
- EN 60335-1 Household and similar electrical appliances. Safety. General requirements
- EN 60335-2-21 Safety. Particular requirements for storage water heaters
- The stainless steel materials used comply with the relevant clauses of:
- EN 10088 - Technical delivery conditions for sheet/plate and strip of corrosion resisting steels for general purposes.

Components supplied comply with the following standards:

- BS EN 1490 Building Valves - Combined Temperature and Pressure Relief Valves.
- BS EN 1491 Building Valves - Expansion Valves.
- BS EN 1567 Building Valves - Water Pressure Reducing Valves and Combination Reducing Valves.
- BS EN 60730-1 Automatic Electrical Controls - For households and similar use. Part 1: General Requirements.
- BS EN 60730-2-8 Automatic Electrical Controls - Particular Requirements for Electrically Operated Water Valves.
- BS EN 13959 Anti-pollution Check Valves.
- BS EN 60730-2-9 Automatic electrical controls for household and similar use Particular requirements for temperature sensing control.

Manufactured in a factory approved to:

- BS EN ISO 9001
- OHSAS 18001
- ISO 50001
- ISO 14001

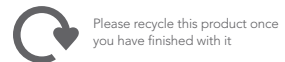
Megaflo Eco Plus Flexistor approvals:

- Nemko Certification Number: P18222600

*In domestic installations only



For more information
 01603 420220 | enquiries@megaflo.com
 megaflo.com



Issue 2 2018

Megaflo, Hurricane Way, Norfolk, NR6 6EA

Megaflo may introduce modifications to their products from time to time. Consequentially the details given in this data sheet are subject to alteration without notice.