

DATA SHEET

R Plus

ELECTRIC VENTED STORAGE

Ideal for installation in environments where there is no existing hot water storage. The compact and cistern-less design of our R Plus vented point-of-use water heaters makes them easy to install.

3 kW	10 bar	25-120 litre	15-22 mm
OUTPUT	MAXIMUM INLET	VARIANTS	CONNECTIONS



FEATURES

Removal of cistern
Universal bracketing
Push fit rotational fixing for overflow
Access for descale through overflow
Intelligent fault reporting via LED
Pasteurisation/Legionella management

BENEFITS

Easier to maintain, less maintenance required
Easier to install, less remedial work required
Flexibility of siting
Easy to maintain
Easier for building managers
Safe, suitable for a variety of environments

R Plus

ELECTRIC VENTED STORAGE

TECHNICAL SPECIFICATION

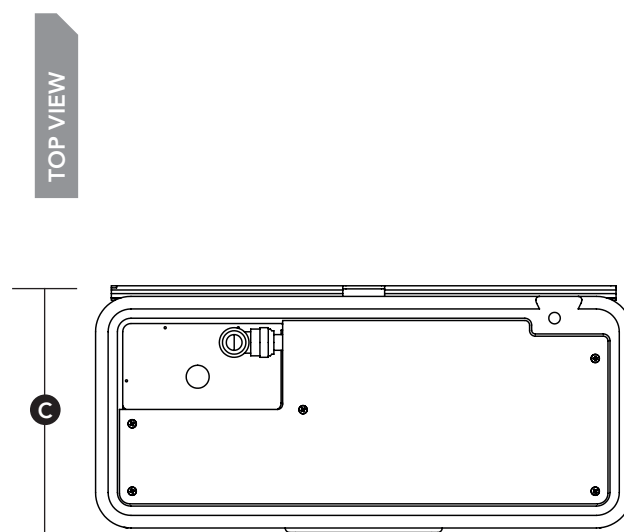
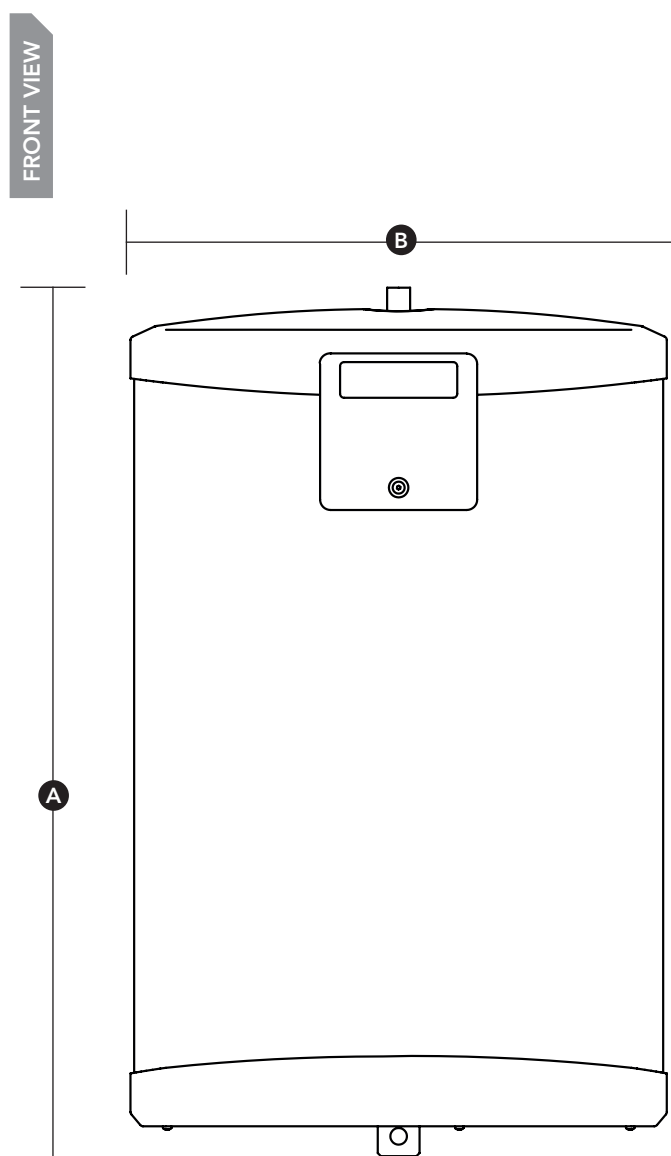
Model	R 25 PLUS 3KW	R 45 PLUS 3KW	R 70 PLUS 3KW	R 120 PLUS 3KW
Product code	94040010	94040011	94040012	94040013
Electrical rating (kW)	2.8kW at 230V 3.0kW at 240V	2.8kW at 230V 3.0kW at 240V	2.8kW at 230V 3.0kW at 240V	2.8kW at 230V 3.0kW at 240V
Weight empty (kg)	15	20	35	40
Weight full (kg)	40	65	105	160
Capacity (litres)	25	45	70	120
Heat up time (mins)	30	50	80	135
Fill time (mins)	3.5 at 7l/min	4 at 7l/min	6 at 12l/min	10 at 12l/min
Storage volume V (litres)	25	45	70	120
Mixed water at 40°C V40 (litres)	35	60	95.7	165.6
The declared load profile	S	M	M	M
The water heating energy efficiency (%)	35.1	37.7	36.1	37
The annual electricity consumption (kWh)	594	1471	1521	1401
Daily fuel consumption (kWh)	2.88	6.95	7.25	6.54
Standing heat loss (kWh/24h)	0.56	0.84	1.12	1.27
The thermostat temperature settings of the water heater, as placed on the market by the supplier (°C)	60	60	60	60
ErP rating	B	C	C	C

ACCESSORIES

Product	Order code
Pack CT1 - Water tempering kit (TMV2/3)	95970357
Pack CT2 - Pressure Reducing Valve kit	95970358

DIMENSIONS

Model	R 25 PLUS 3KW	R 45 PLUS 3KW	R 70 PLUS 3KW	R 120 PLUS 3KW
A Height (mm)	830	882	1221	1021
B Width (mm)	510	609	609	660
C Depth (mm)	235	276	276	429



DATA SHEET

R Plus

ELECTRIC VENTED STORAGE

CODES OF PRACTICE/LEGISLATION

EU Directives:

- Energy Labelling of Water Heaters Directive 2010/30/EU
- Eco Design for Water Heaters Directive 2009/125/EU
- Low Voltage Directive (LVD) 2014/30/EU
- Electromagnetic Compatibility (EMC) Directive 2014/35/EU

Legislation:

- Building Regulations Part G and Part L (England and Wales)
- Scottish Building Standards Section 4 and Section 6
- Building Regulations (Northern Ireland) Parts F1 and F2 and Part P
- Water Supply (Water Fittings) Regulations (England and Wales)
- The Water Byelaws 2004 (Scotland)
- Water Supply (Water Fittings) Regulations (Northern Ireland)

Standards:

- Relevant clauses of the following standards are complied with:
- EN 60379 Specification for measuring the performance of electric storage water heater
 - EN 60335-2-21 Safety Particular requirements for storage water heaters

The copper materials used comply with the relevant clauses of:

- EN 1653 Technical delivery conditions for sheet/plate copper and copper alloys.
Plate, sheet and circles for boilers, pressure vessels and hot water storage units
- EN 50440:2016 Efficiency of Domestic Electric Storage Water Heaters and Training Methods

Components supplied comply with the following standards:

- BS EN 60730-1 Automatic Electrical Controls –
For households and similar use part 1: General Requirements
- BS EN 60730-8 Automatic Electrical Controls –
Particular requirements for Electrically Operated Water Valves

The use of these water heaters will aid in compliance with:

- Health and safety Executive Approved Code of Practice L8:
The control of legionella bacteria in water systems
- BS EN 806 Parts 1 to 5: Specification for installations inside buildings conveying water for human consumption
- BS 8558 Guide to the design, installation, testing and maintenance of services supplying water for domestic use within buildings
- Chartered Institute of Building Services Engineers Guide B and Guide F

Manufactured in a factory approved to:

- BS EN ISO 9001
- OHSAS 18001
- ISO 14001

R PLUS approvals:

- Kiwa Certification Number: 16022701
- Nemko (N-Mark) Certification Number: P16220869



For more information
01603 420220 | enquiries@heatraesadia.com
www.heatraesadia.com



Please recycle this document
once you have finished with it

Issue 2
© Heatrae Sadia 2017

Heatrae Sadia, Hurricane Way, Norfolk, NR6 6EA

Heatrae Sadia may introduce modifications to their products from time to time.
Consequently the details given in this data sheet are subject to alteration without notice.