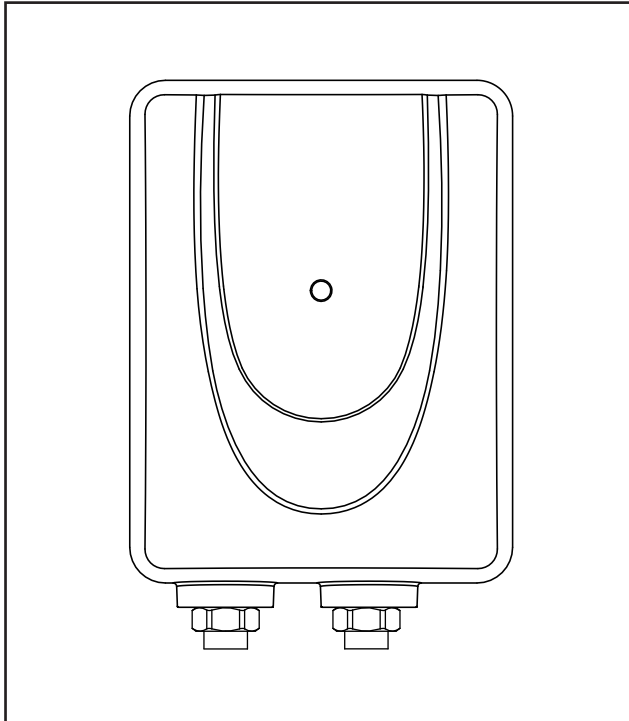




Fitting Instructions
PowerPack™



Please read and understand these instructions before starting work.
Please leave this leaflet with the user following installation

WARNING

This PowerPack must only be installed by qualified persons.

INTRODUCTION

Thank you for purchasing a Santon PowerPack. The PowerPack unvented water heater is manufactured to the highest standards and has been designed to meet all the latest relevant safety specifications.

This PowerPack instantaneous water heater must be installed (Sections 3.0-6.0), commissioned (Section 5.0) and maintained (Section 7.0) by a competent person. Please read and understand these instructions prior to installing your PowerPack unvented water heater. Particular attention should be paid to the section headed SAFETY (Section 2.0).

This product can be used by children aged from 8 years and above and persons with reduced physical sensory or mental capabilities or lack of experience and knowledge if they have been given supervision or instruction concerning use of the product in a safe way and understand the hazards involved. Children shall not play with the product. Cleaning and user maintenance shall not be made by children without supervision. Children must be supervised to ensure they do not play with the product.

PACK CONTENTS

Heater
Fixing screws and wall plugs
Expansion relief valve 1MPa (10bar)
Tee piece
Fitting Instructions

TECHNICAL SPECIFICATION

MODEL NUMBERS

7.0kW - 94 050 211

9.0kW - 94 050 212

12.0kW - 94 050 213

CONNECTIONS

Inlet / Outlet connection -1/2" BSP male

Water entry point - bottom

Cable entry point - bottom or rear

ELECTRICAL

Electrical rating...6.4/7.0kW @ 230/240V

.....8.2/9.0kW @ 230/240V

.....11.0/12.0kW @ 230/240V

RATED PRESSURE

7/9/12kW

Minimum supply pressure 0.1Mpa (1bar)

Maximum supply pressure 0.7Mpa (7.0bar)

MATERIALS

Backplate, cover - ABS

Element(s) - Copper sheathed rod type

Inner container - Glass reinforced Nylon

DIMENSIONS

Height - 210mm

Width - 160mm

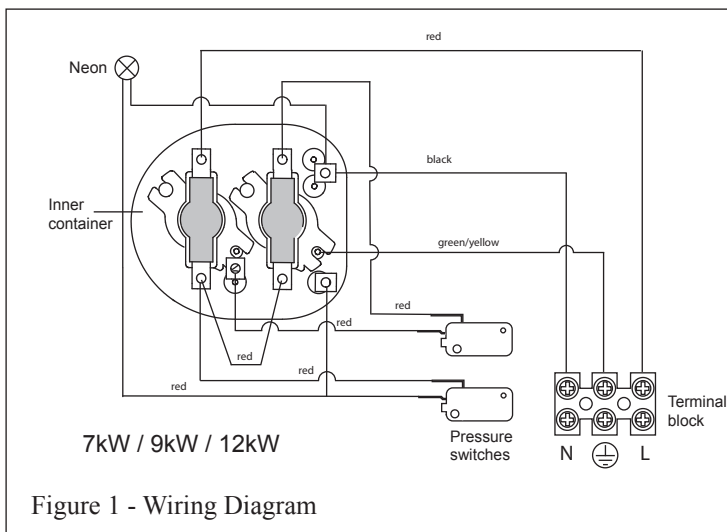
Depth - 104mm

STANDARDS AND APPROVALS

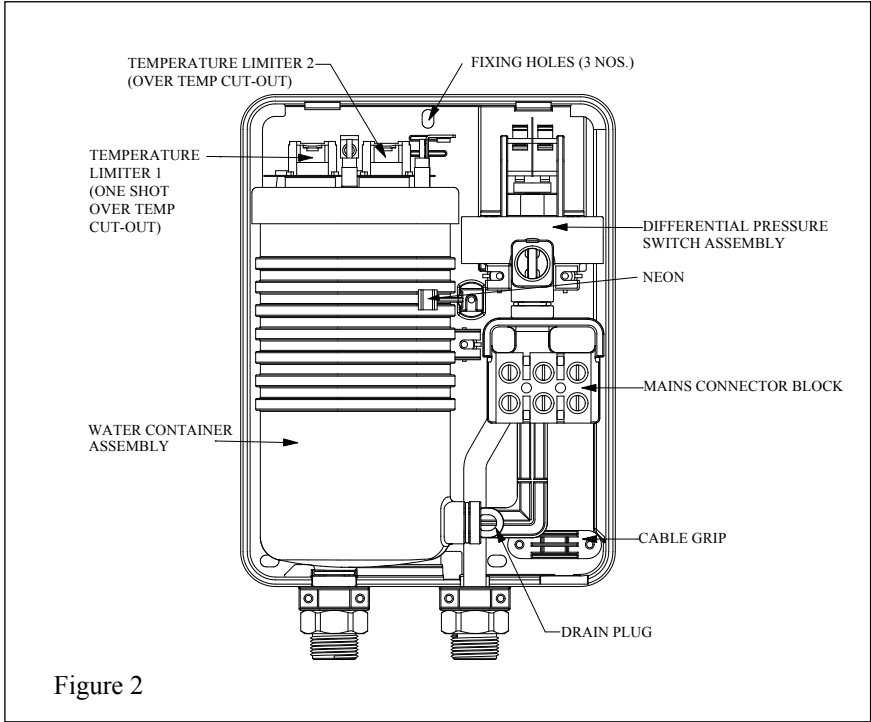
Complies with the requirement of EN 60335-2-35

Complies with European Community Directives (CE)

Complies with UK water regulations, kiwa approved



1.0 INTERNAL COMPONENTS



Supplier's name or trade mark	Santon PowerPack	
Supplier's model identifier	7kW	9kW
The declared load profile	XXS	XXS
The water heating energy efficiency class of the model	A	A
The water heating energy efficiency in %	38.5	38.5
The annual electricity consumption in kWh	479	479
Daily fuel consumption in kWh	2.206	2.206
Specific precautions that shall be taken when the water heater is assembled, installed or maintained and disposed of at end of life	See sections 3 - 8	

Table: Technical parameters in accordance with European Commission regulations 814/2013 and 812/2013

IMPORTANT INFORMATION

- 2.1 Products manufactured by Santon are to British and European Standards. These appliances are safe and without risk, provided they are installed, used and maintained in good working order in accordance with our instructions and recommendations.
- 2.2 Please read and understand these instructions before starting work and retain them for later use.
- 2.3 DO NOT operate the appliance if it is frozen, or suspected of being frozen. See Fault Finding table (section 7.0).
- 2.4 These heaters are of the closed outlet type (unvented pressure system) and are suitable for connection to normal cold water mains supplies up to a maximum of 0.7MPa (7.0bar) for 7/9kW and 12kW
- 2.5 DO NOT operate the appliance if:
1. Water ceases to flow during use.
 2. Water has entered inside the unit because of an incorrectly fitted cover.
 3. If the appliance is damaged.
(in all cases turn off mains power and isolate water supply)
- 2.6 ISOLATE the electrical and water supplies before removing the cover.
- 2.7 ISOLATE the electrical and water supplies BEFORE proceeding with installation or servicing.
- 2.8 The product is NOT SUITABLE for mounting into steam rooms or steam cubicles.
- 2.9 The installation must be carried out in accordance with the relevant requirements of:
- The appropriate Building Regulations either The Building Regulations, The Building Regulations (Scotland) or Building Regulations (Northern Ireland).
 - The Water Fittings Regulations or Water Byelaws in Scotland.
 - The IEE Wiring Regulations - BS7671.

CAUTION

- 2.10 It is recommended that persons who may have difficulty understanding or operating the controls should not be left unattended whilst using the appliance. Special consideration should be given to young children and persons with reduced physical, sensory or mental capabilities.
- 2.11 Only use designated entry points for cable and pipe.

PLUMBING

- 2.12 The plumbing installation must comply with Water Regulations.
- 2.13 The supply pipe must be flushed to clear debris.
- 2.14 DO NOT solder pipes or fittings within 300mm of the heater once the pipe work is located in the appliance, as heat transfer can damage components.
- 2.15 All plumbing connections must be completed and checked for leaks before making the electrical connections.

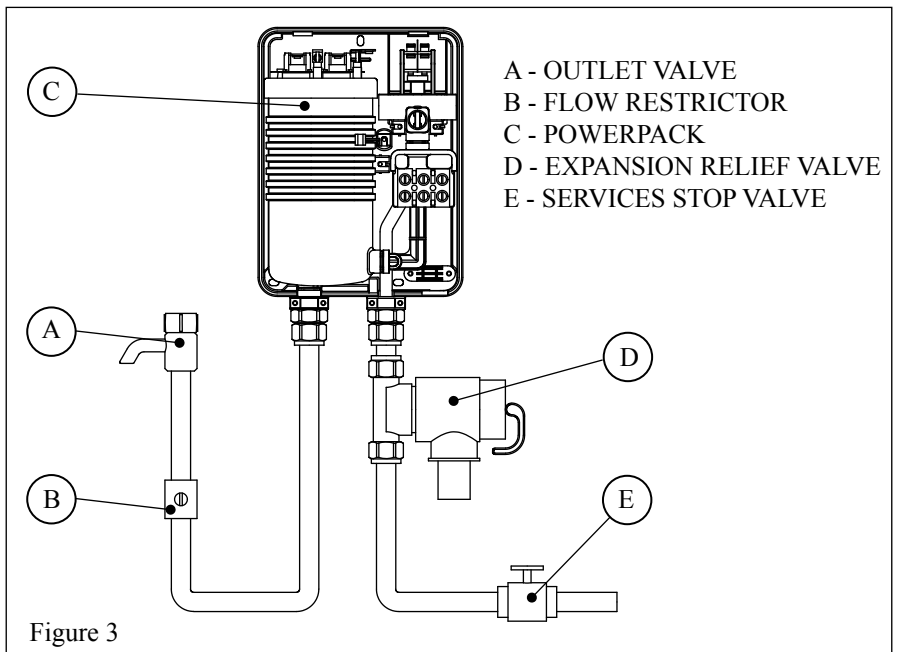
ELECTRICAL

- 2.16 Before fitting the appliance, ensure that the consumer unit and any switches are suitable for the additional load. If in doubt, contact your electricity supplier or a qualified electrician.
- 2.17 The installation must comply with the latest BS 7671 'Requirements for Electrical Installations' (IEE Wiring Regulations).
- 2.18 This appliance must be earthed.
- 2.19 A residual current device (rd), formerly known as an earth leakage circuit breaker (elcb), with a tripping current of 30mA must be incorporated in the circuit.

3.0 SITE REQUIREMENTS

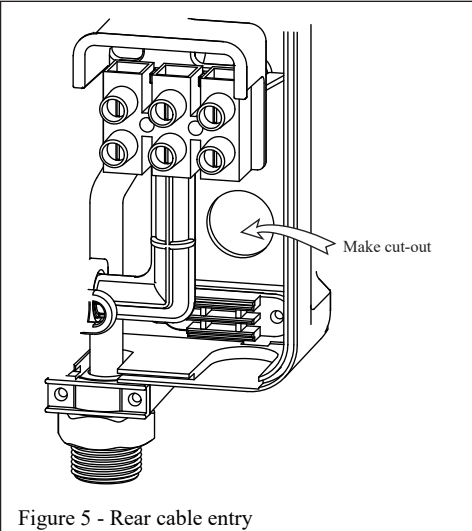
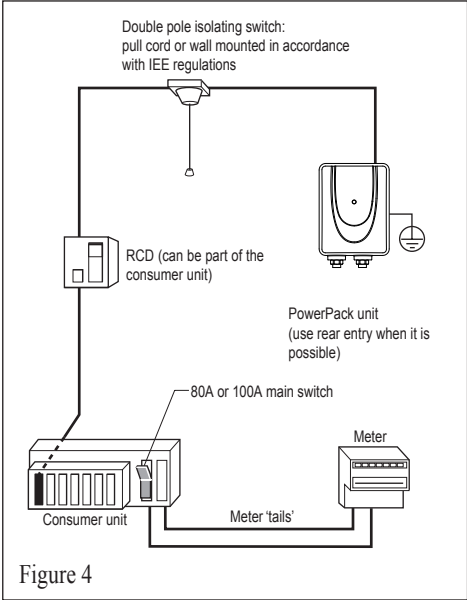
WATER REQUIREMENTS

- 3.1 All 7kW, 9kW and 12kW heaters have an operational pressure range of 0.1Mpa (1bar) to 0.7Mpa (7.0bar). Both inlet and outlet connections are suitable for 15mm diameter copper pipe.
- 3.2 The tee piece and expansion relief valve must be situated where shown (see figure3. item D) and the relief valve discharge port plumbed via an air break (tundish) to a safe, visible place where there is no risk to persons.
- 3.3 The discharge pipe must fall continuously from the valve outlets and be unobstructed.
- 3.4 An isolating stop valve **MUST** be incorporated to the main water supply to comply with Water Regulations.
- 3.5 To obtain optimum performance a flow restrictor (isolating ball valve) must be fitted where shown (see figure 3. item B). This provides temperature control during commissioning (see 5.3 SETTING FLOW RATE).



ELECTRICAL REQUIREMENTS

- 3.6 **This appliance must be earthed.**
- 3.7 The installation, supply cable and circuit protection must conform to the latest BS7671 'Requirements for electrical installations' (IEE Wiring Regulations).
- 3.8 The PowerPack heater must only be connected to a 230/240V ac supply.
- 3.9 Before making any electrical connections within the installation, make sure that no terminal is live. If in doubt, SWITCH OFF the whole installation at the consumer unit or switch fuse (where fitted).
- 3.10 The PowerPack heater must be connected to its own independent electrical circuit.
- 3.11 Check that your consumer unit (main fuse box):
 - 1. has a main switch rating of 80A or above.
 - 2. has a spare fuse way which will take the fuse/mcb you need to fit - see (Figure. 4). If so, you can wire the PowerPack direct to the spare fuse of your consumer unit via a suitably rated isolating switch- (see Figure.4). Note that not all consumer units will accept a 35/40/45A sized fuse.
- 3.12 If point 3.11, 1 and 2 are not achievable, the installation is not straight forward, since it could involve installing a new consumer unit to serve the whole house or just the PowerPack. You will need to call in your Regional Electricity Company to check the circuit and make the connections to the meter or service connector block. They should also check the earth bonding of items in the vicinity.
- 3.13 **A residual current device (rdd)**, formerly known as an earth leakage circuit breaker (elcb), with a tripping current of 30mA must be incorporated in the circuit.
- 3.14 **A double-pole isolating switch** rated at (30A for 7kW, 40A for 9kW, and 50A for 12kW), with a contact separation of at least 3mm in each pole, must be incorporated in the circuit. This must have a mechanical indicator showing when the contacts are open. An indicator lamp alone is not sufficient. Only cord operated switches can be fitted in bathrooms.



4.0 CONNECTING TO SERVICES

PREPARATION

- 4.1 Remove the fixing screw which holds the front cover onto the back plate of the PowerPack heater. Carefully remove the cover.
- 4.2 The unit must be mounted on a flat surface, which covers the full width and length of the back plate. It is important that the wall surface is flat otherwise difficulty may be encountered when fitting the cover.
- 4.3 DO NOT fit the PowerPack to the wall and tile up to the case. It must be fitted on to a finished flat and even wall surface. This allows removal for servicing.

CABLE ENTRY

- 4.4 Cable entry can be from the rear (see Figure 5) or from the bottom. When opting for bottom entry make cut-out to suit cable before fitting back plate to the wall.
- 4.5 Fix the PowerPack heater loosely to the wall. The wallplugs provided are suitable for most brick walls (use a 6.5mm diameter masonry drill), but if your wall is plasterboard or soft building block, you should use special wallplugs and an appropriate drill, obtainable from most hardware stores.

PLUMBING

- 4.6 Decide where to connect to the water mains for your feed to the PowerPack. Ensure that the pipe you have selected is not a gas pipe or a hot water pipe or from a cold water storage tank.
- 4.7 Cut the necessary pipe work to length, assemble and offer up to the installation before making any soldered joints. Ensure that the pipe is the correct length, as shortening it can be difficult once joints have been made.
- 4.8 An isolating stop valve MUST be incorporated to the main water supply to comply with Water Regulations
- 4.9 Assemble the installation before making any soldered joints. DO NOT use jointing compounds on any pipe fittings for the installation.
- 4.10 Remove the unit before soldering the connections.
- 4.11 It is essential to flush the pipe in order to clear debris, particles of solder and swarf.
- 4.12 Turn the water off after flushing using the isolating stop valve.
- 4.13 Connect the cold water supply pipe to the inlet of the PowerPack, this is a 1/2" BSP connection.
- 4.14 Fit top and bottom screws and secure the back plate to the wall ensuring that it is level.
- 4.15 Connect all other components as per Figure 3.
- 4.16 Turn the isolating stop valve on slowly and check for leaks in all pipe work, rectify as necessary.
- 4.17 Turn off the isolating stop valve.
- 4.18 Place the cover onto the back plate.
- 4.19 Secure the cover to back plate using screw provided.

5.0 COMMISSIONING

- 5.1 Once installed, the heater will operate automatically when the outlet valve is opened. The valve must be opened fully to obtain the set flow/temperature. Reduced flow at the outlet will result in hotter water being delivered.
- 5.2 On closing the outlet valve the heating element will automatically shut down provided this tap has been turned off by the user.

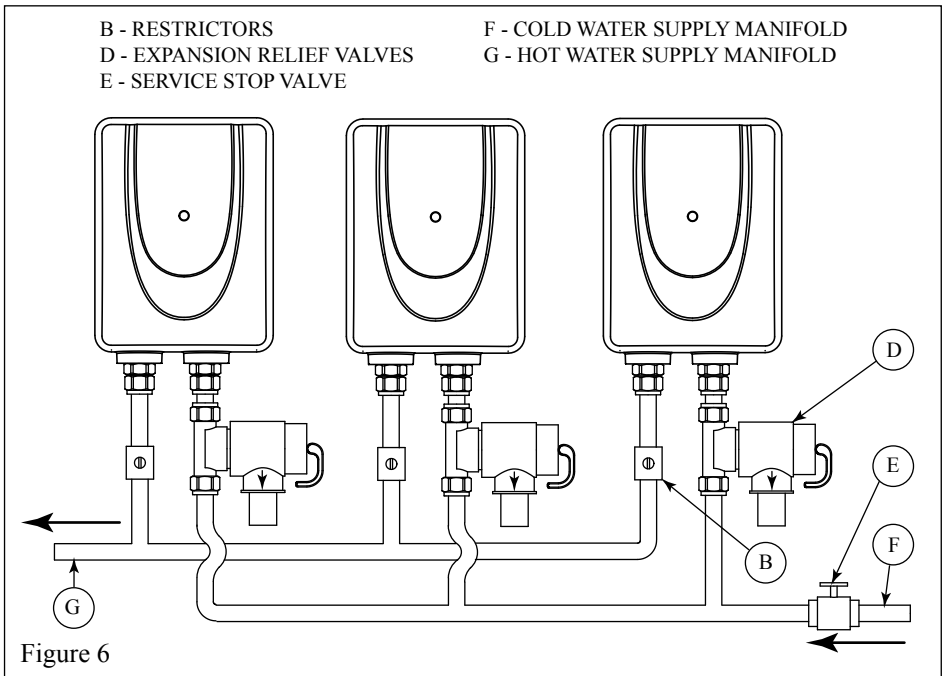
SETTING FLOW RATE

- 5.3 To set the flow rate, make sure the water and power are turned off. Open the outlet valve fully (see figure 3) and close the flow restrictor. Open the stop valve and open the flow restrictor (allowing all air to be purged). When all air is purged switch the power on, wait for a few seconds while the water is heated and adjust flow restrictor to suit the required temperature. Remember the outlet valve is fully opened at this point so the required temperature may need further adjustment.
- 5.4 It is important to note when setting the flow rate/temperature that 48°C is the point at which the average person cannot hold his or her hand under a stream of water. Under most circumstances the water temperature need not be higher than this and it is recommended that this temperature is not exceeded for normal use.
- 5.5 These heaters will supply only one outlet at any time and must be controlled by a single outlet valve. **DO NOT USE WITH MIXER VALVES.**

6.0 MULTIPLE INSTALLATIONS

- 6.1 When larger volumes of water are required than can be provided by one heater, multiple installations can be made by connecting a number of heaters in PARALLEL of the cold feed manifold (See Figure 6). This is the ONLY method that is recommended, provided all water heaters receive acceptable flow rates (2.5ltr/min recommended). DO NOT plumb these heaters in series.
- 6.2 To set the heaters in this arrangement use the appropriate procedure as described previously. Each heater in parallel must be set individually.
- 6.3 In this application restrictors capable of closing flow completely should be used so that as each heater is set in turn, the other heaters in the installation may be isolated.

NOTE - In this application it is advisable, especially where low flow rates exist, to plumb the cold manifold in 22mm pipe with 15mm pipe spurs to each heater.



7.0 FAULT FINDING

YOUR SANTON POWERPACK SHOULD GIVE TROUBLE FREE OPERATION. HOWEVER SHOULD A PROBLEM OCCUR THE TABLE BELOW SHOULD ALLOW MOST FAULTS TO BE IDENTIFIED. FAULT FINDING SHOULD ONLY BE CARRIED OUT BY A COMPETENT PERSON.

SYMPTOM	POSSIBLE CAUSE	REMEDY
1. Water too hot	A. Water flow too low	Increase the flow by turning service stop valve
2. Water too cold	A. Electrical power to the power pack heater is off	Ensure that the electrical supply to the power pack is switched on and the neon is lit
	B. Water flow too high	Reduce the flow by adjusting the water control isolating valve
	C. Element fault	Check for open circuit
3. Temperature varies while showering, cycling hot/cold	A. Pressure switch is operating, normally making a "click" as it does so	Check water pressure/flow
	B. Input pressure is below 1.0 bar (14.5psi); flow is not stable	Ensure that your stop cock and servicing valve are opened fully
4. "Power on" indicator not lit. Isolating switch "ON" but its neon not lit	A. Cartridge fuse or miniature circuit breaker (mcb) has operated in your fusebox (or consumer unit) or switch fuse	Switch off power pack and isolating switch. Renew fuse, reset the mcb. If they operate a second time, contact a qualified electrician
	B. Residual current device (rkd) or (earth leakage circuit breaker) has operated	Follow the same procedure as above. If this has happened with a "split load" consumer unit on initial installation, check that the neutral core of the Power Pack feed cable is connected to the "protected" neutral bar of the unit
5. Water emerges from expansion relief valve	A. Expansion relief valve has operated	1. Switch off immediately at isolating switch 2. Turn water off at the servicing valve (if fitted) or stop valve 3. Contact Santon Service Department
6. No water flows with valve open	A. Water supply turned off	Turn on water supply
	B. Unit frozen	Turn OFF ELECTRICITY at isolating switch and contact installer DO NOT USE THE POWER PACK

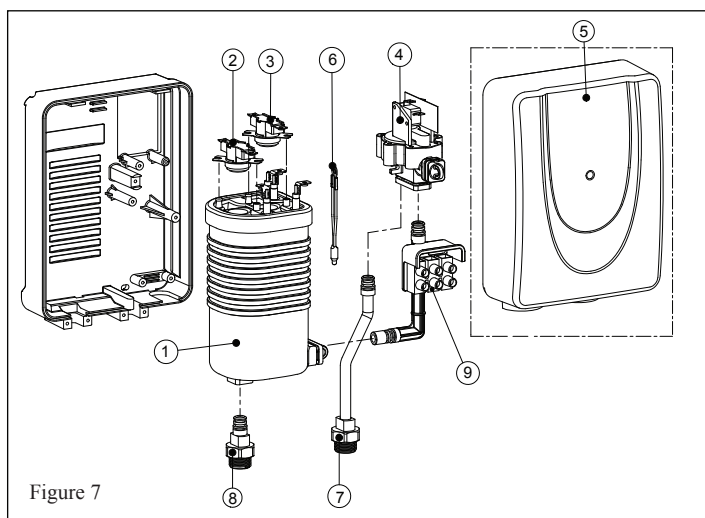
For any faults that cannot be identified by using the fault finding chart please contact the Santon service department, telephone: 0344 871 1530 fax: 0344 871 1528

8.0 SPARE PARTS

The following comprehensive list of spare parts is available for your Santon PowerPack. Please refer to the rating label on the side of your heater before ordering to ensure the correct spare part is obtained.

DO NOT REPLACE WITH PARTS NOT RECOMMENDED BY SANTON, AS THIS WILL INVALIDATE YOUR GUARANTEE AND MAY RENDER THE INSTALLATION DANGEROUS.

DESCRIPTION	CODE NO.
1. Heat Exchanger Assembly 7.0kW.....	95 606 965
Heat Exchanger Assembly 9.0kW.....	95 606 966
Heat Exchanger Assembly 12.0kW.....	95 606 970
2. Temperature limiter 1.....	95 612 035
3. Temperature limiter 2.....	95 612 036
4. Pressure Differential Switch Assembly 7/9kW.....	95 613 005
Pressure Differential Switch Assembly 12kW.....	95 613 006
5. PowerPack Cover.....	95 614 107
6. Neon Assembly.....	95 615 058
7. Inlet Boss Assembly.....	95 607 106
8. Outlet Boss Assembly.....	95 607 109
9. Terminal Block.....	95 607 249
10. Relief valve and T piece	7724178



9.0 Guarantee

This product is guaranteed against faulty materials and manufacture for a period of two years from the date of purchase provided that:

- 1 The unit has been installed by a competent person in accordance with the Fitting Instructions, all relevant Codes of Practice, Regulations in force at the time of installation and that all necessary controls and safety valves have been fitted correctly.
- 2 Any valves and controls are of the Santon recommended type and specification.
- 3 The appliance has not been modified or tampered with in any way.
- 4 The appliance has been used only for heating potable water.

The appliance is not guaranteed against damage by frost, and the inner container with integral heating element is not guaranteed against excessive scale build-up.

This guarantee in no way affects the statutory rights of the consumer.

The policy of Santon is one of continuous product development and, as such, we reserve the right to change specifications without notice.

Environmental Information

Santon products are manufactured from many recyclable materials. At the end of their useful life they should be disposed of at a Local Authority Recycling Centre in order to realise the full environmental benefits.

WEEE Declaration

Disposal of Waste Equipment by Users in Private Household in the European Union.



This symbol on the product indicates that this product must not be disposed of with your other household waste. Instead, it is your responsibility to dispose of your waste equipment by handing it over to a designated collection point for the recycling of waste electrical equipment. The separate collection and recycling of your waste equipment at the time of disposal will help to conserve natural resources and ensure that it is recycled in a manner that protects human health and the environment. For more information about where you can drop off your waste equipment for recycling, please contact your local city office, your household waste disposal service or the company where this product was purchased.

Notes:

Spares Stockists

Electric Water Heating Co.
2 Horsecroft Place, Pinnacles
Harlow, Essex, CM19 5BT
Tel: 0845 0553811
E-Mail: sales@ewh.co.uk

SPD
Units 9 & 10 Hexagon Business Centre
Springfield Road, Hayes
Middlesex, UB40 0TY
Tel: 020 8606 3567

Parts Center
Tel: 0344 292 7057
www.partscenter.co.uk

Newey & Eyre
Unit 3-5 Wassage Way
Hampton Lovett Ind. Estate
Droitwich Worcestershire WR9 0NX
Tel: 01905 791500
Fax: 01905 791501

UK Spares Ltd.
Unit 1155 Aztec West,
Almondsbury,
Bristol, BS32 4TF
Tel: 01454 620500

Alternatively, contact your local supplying merchant or wholesale branch or use our online stockist finder at www.interpartspares.co.uk

SANTON[®]

BY HEATRAE SADIA

Hurricane Way,
Norwich,
Norfolk, NR6 6EA.
www.santon.co.uk

Service Tel: 0344 871 1530
ServiceEmail: customer.support@heatraesadia.com