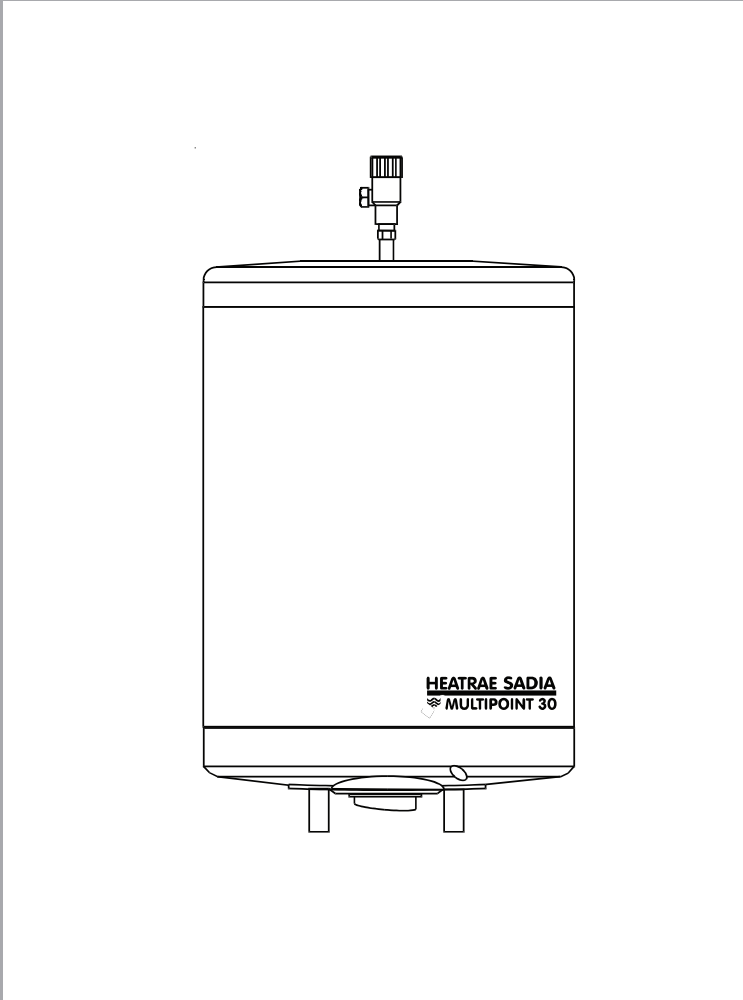


HEATRAE SADIA

The quality name in water heating



MULTIPOINT 30 & 50 Litre

Installation and User Instructions

CONTENTS

SECTION	PAGE
1.0 INTRODUCTION	2
2.0 TECHNICAL SPECIFICATION	4
3.0 INSTALLATION	5
4.0 COMMISSIONING	12
5.0 USER DEMONSTRATION	13
6.0 MAINTENANCE	14
7.0 FAULT FINDING	16
8.0 SPARE PARTS	17
9.0 ACCESSORIES	18
10.0 GUARANTEE	18
11.0 ENVIRONMENTAL INFORMATION	19
12.0 SPARES STOCKISTS	20

1.0 INTRODUCTION

Thankyou for purchasing a Heatrae Sadia Multipoint 30/50 unvented water heater. The Multipoint water heater is manufactured in the UK to the highest standards and has been designed to meet all the latest relevant safety specifications.

This Multipoint water heater must be installed (Sections 3.0), commissioned (Section 4.0) and maintained (Sections 6.0) by a competent person only. Please read and understand these instructions prior to installing your Multipoint unvented water heater. Particular attention should be paid to the section headed IMPORTANT INSTALLATION POINTS. Following installation and commissioning, the operation of the heater should be explained to the user (Section 5.0) and these instructions left with them for future reference.

This appliance can be used by children aged from 8 years and above and persons with reduced physical sensory or mental capabilities or lack of experience and knowledge if they have been given supervision or instruction concerning use of the appliance in a safe way and understand the hazards involved. Children shall not play with the appliance. Cleaning and user maintenance shall not be made by children without supervision.

Children must be supervised to ensure they do not play with the appliance.

1.1 IMPORTANT POINTS

- 1.1.1 The Multipoint unvented water heater is factory fitted with a temperature/pressure relief valve. The factory fitted temperature/pressure relief valve must not be removed, blocked or restricted in any way. FAILURE TO PROVIDE ADEQUATE TEMPERATURE AND PRESSURE RELIEF WILL INVALIDATE ANY GUARANTEE AND LEAD TO A DANGEROUS INSTALLATION
- 1.1.2 Expansion must be accommodated within the system. Use of the expansion vessel and check valve provided in the installation kit will fulfill this function.
- 1.1.3 The installation of this water heater is covered by Building Regulation G3. In order to fulfill the requirements of this regulation, the heater should be installed in accordance with these instructions by a competent installer (i.e. an installer trained in the installation of unvented water heating systems). All the control and safety valves provided in the Installation Kit must be used and plumbed in accordance with Figure 01.
- 1.1.4 The installation must be carried out in accordance with the relevant requirements of:
 - The appropriate Building Regulations either The Building Regulations, The Building Regulations (Scotland) or Building Regulations (Northern Ireland).
 - The Water Fittings Regulations or Water Byelaws in Scotland.

WARNING: IF WATER FLOWS FROM THE PRESSURE RELIEF VALVE OR TEMPERATURE/PRESSURE RELIEF VALVE, THE ELECTRICITY SUPPLY MUST BE SWITCHED OFF IMMEDIATELY. CONTACT THE HEATRAE SADIA SERVICE TEAM (Tel: 0844 8711535) OR AN APPROVED INSTALLER.

The HWA Charter Statement requires that all members adhere to the following:

- ▶ To supply fit for purpose products clearly and honestly described.
- ▶ To supply products that meet, or exceed appropriate standards and building and water regulations.
- ▶ To provide pre and post sales technical support.
- ▶ To provide clear and concise warranty details to customers.

1.2 PACK CONTENTS

Before commencing installation check that all the following components have been supplied in the installation kit :

- Expansion vessel ¾” BSP male, precharge pressure 0.32 MPa (3.5 bar) c/w wall mounting bracket
- Combined pressure reducing valve/strainer ½” BSP female, factory set at 0.35 MPa (3.5 bar)
- Single check valve 15mm x 15mm compression
- Pressure (expansion) relief valve ½” BSP male inlet, ½” BSP female discharge factory set at 0.6 MPa (6 bar).
- Tundish ½” BSP male inlet, ¾” BSP female outlet
- Wall mounting bracket set
- Self adhesive levelling feet (2 off)
- Moulded plastic spacer

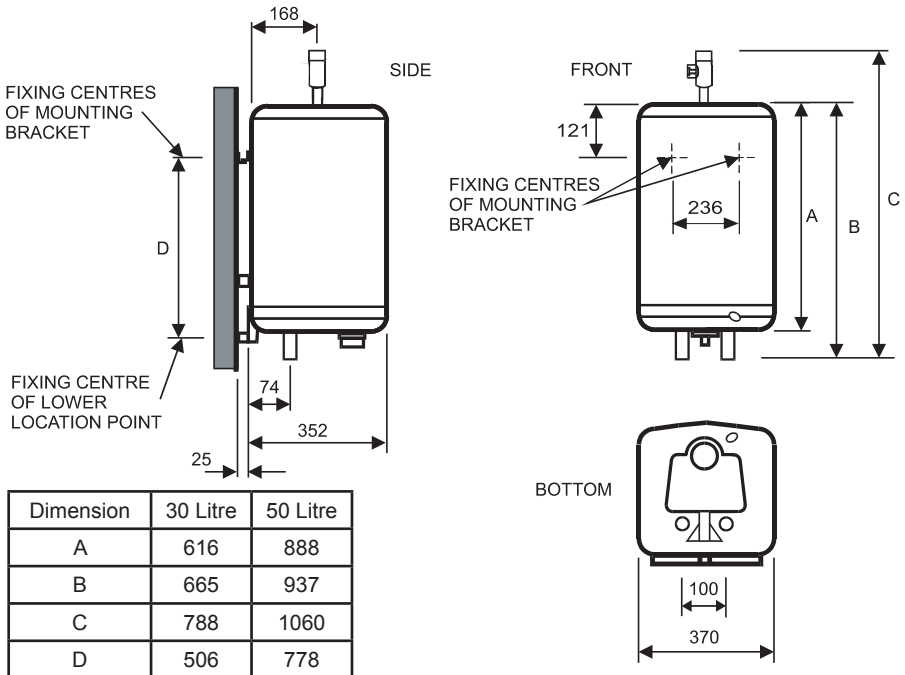
Supplier's name or trade mark	Multipoint			
Supplier's model identifier	30V 3kW	30V 1kW	50V 3kW	50V 1kW
Storage volume V in litres	30	30	50	50
Mixed water at 40°C V40 in litres	46	46	86	79
The declared load profile	S	S	M	M
The water heating energy efficiency class of the model	D	D	D	E
The water heating energy efficiency in %	30.4	34.7	33.9	30.4
The annual electricity consumption in kWh	606	608	1516	1481
Daily fuel consumption Q fuel in kWh	2.960	2.970	7.220	7.020
The thermostat temperature settings of the water heater, as placed on the market by the supplier	60°C			
Specific precautions that shall be taken when the water heater is assembled, installed or maintained and disposed of at end of life	See Section 2 to 6			

Table: Technical parameters in accordance with European Commission regulations 814/2013 and 812/2013.

2.0 TECHNICAL SPECIFICATIONS

Electrical rating	3.0kW @ 240V/ 2.75kW @ 230V
Capacity	30 and 50 litres
Weight (50 Litre)	69.3kg (full)
Weight (30 Litre)	42.5kg (full)
Operating pressure	0.35 MPa (3.5 bar)
Rated pressure	0.6 MPa (6.0 bar)
Expansion vessel charge pressure	0.35 MPa (3.5 bar)
Expansion relief valve setting	0.6 MPa (6.0 bar)
Minimum supply pressure	0.08 MPa (0.8 bar)
Maximum supply pressure to PRV	1.6 MPa (16.0 bar)
Temperature/pressure relief valve	90°C / 0.7 MPa (7.0 bar)

FIGURE 01: DIMENSIONS



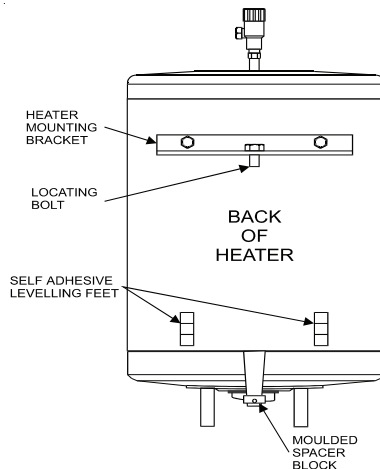
3.0 INSTALLATION

3.1 LOCATION

3.1.1 The Multipoint must be installed by a competent installer in accordance with Building Regulation G3.

- 3.1.2 National wiring rules may contain restrictions concerning the installation of these units in bathrooms.
- 3.1.3 The unit should be vertically wall mounted using the wall bracket and levelling feet supplied. The water connections must always be on the bottom of the unit.
- 3.1.4 Enough space should be left below the unit for pipe connections and above the unit for access to the Temperature/Pressure Relief Valve. Refer to Figure 2 and the Dimensions Table to determine a suitable position for the heater.
- 3.1.5 NOTE: Ensure that the wall can support the full weight of the unit (see TECHNICAL SPECIFICATIONS) and that there are no hidden services (electricity, gas, or water) below the surface of the wall.
- 3.1.6 DO NOT install where the unit may freeze.
- 3.1.7 Using Figure 01 and the Dimensions Table as a guide, mark the position of the wall mounting bracket and lower location point. Drill and plug the wall with suitable fixings, fix the wall bracket to the wall.
- 3.1.8 Fit the heater wall bracket to the rear of the unit using the screws provided ensuring the central location bolt is pointing towards the bottom of the unit.
- 3.1.9 Remove the backing paper from the self adhesive pads of the levelling feet and affix them to the lower back of the unit in the approximate positions shown on Figure 02.
- 3.1.10 Hang the unit on the wall mounting bracket ensuring the location bolt locates in the hole in the wall bracket. Position the moulded spacer

FIGURE 02: BRACKET & LEVELLING FEET POSITIONS

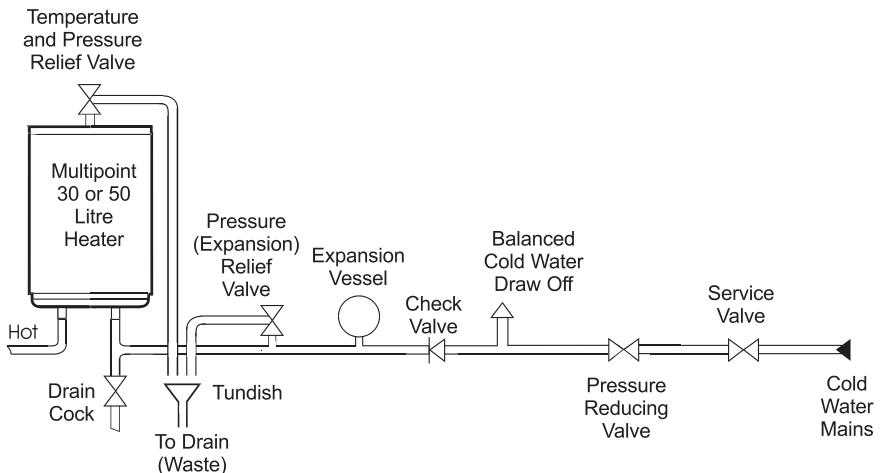


block between the tab on the bottom cover moulding and the wall. Insert a No. 10 x 2 ½" long screw through the tab and spacer block and tighten into wall plug.

3.2 PLUMBING

- 3.2.1 Refer to the section IMPORTANT INSTALLATION POINTS. Plumb in the valves in the sequence shown in Figure 03, p7. Ensure the valves are installed in the correct orientation by reference to the direction of flow arrows marked on them. The expansion vessel should be supported by its own wall bracket (supplied), do not rely on the pipework alone to support it.
- 3.2.2 The water connections to the unit are 15mm diameter copper tubes suitable for compression fittings. Do not use solder joints as this will damage the heater and may prevent servicing under warranty.
- 3.2.3 The INLET is marked BLUE, the OUTLET is marked RED. Several hot outlets via conventional taps can be served, however, individual site demands should be considered when choosing capacity and the number of outlets to be served.
- 3.2.4 It is recommended that a WRAS Listed isolating valve is fitted on the cold water supply to the heater.
- 3.2.5 A drain cock must be fitted below the heater in the inlet pipework. It must be sited between the heater and the check valve (see Figure 03, p7).
- 3.2.6 Plumbers paste must not be used as it can impair the operation of the valves.

FIGURE 03 SCHEMATIC: INSTALLATION DIAGRAM



3.3.DISCHARGE

It is a requirement of Building Regulation G3 that any discharge from an unvented system is conveyed to where it is visible, but will not cause danger to persons in or about the building.

The tundish supplied and the discharge pipes should be fitted in accordance with the Requirements and Guidance Notes of Building Regulation G3. These are essentially as follows:

G3 REQUIREMENT

“...there shall be precautions...to ensure that the hot water discharged from safety devices is safely conveyed to where it is visible but will not cause danger to persons in or about the building.”

- 3.3.1 Discharge pipe MUST terminate in a SAFE, VISIBLE position
- 3.3.2 Water may drip from the discharge pipe of the pressure relief device and that this pipe must be left open to the atmosphere.
- 3.3.3 The pressure relief device is to be operated regularly to remove lime deposits and to verify that it is not blocked
- 3.3.4 The discharge pipe connected to the pressure relief device is to be installed in a continuously downward direction and in a frost free environment.

G3 GUIDANCE SECTION 3.9

The discharge pipe (D2) from the tundish should terminate in a safe place where there is no risk to persons in the vicinity of the discharge, preferably be of metal and:

- 1 Be at least one pipe size larger than the nominal outlet size of the safety device unless its total equivalent hydraulic resistance exceeds that of a straight pipe 9m long i.e. discharge pipes between 9m and 18m equivalent resistance length should be at least two sizes larger than the nominal outlet size of the safety device, between 18 and 27m at least 3 sizes larger, and so on. Bends must be taken into account in calculating the flow resistance. Refer to Table 01, p9 and the worked example.
- 2 An alternative approach for sizing discharge pipes would be to follow BS 6700:1987 Specification for design installation, testing and maintenance of services supplying water for domestic use within buildings and their curtilages, Appendix E, section E2 and table 21.
- 3 Have a vertical section of pipe at least 300mm long, below the tundish before any elbows or bends in the pipework.
- 4 Be installed with a continuous fall.
- 5 Have discharges visible at both the tundish and the final point of discharge but where this is not possible or is practically difficult

there should be clear visibility at one or other of these locations.

Examples of acceptable discharge arrangements are:

- i Ideally below a fixed grating and above the water seal in a trapped gully.
- ii Downward discharges at low level; i.e. up to 100mm above external surfaces such as car parks, hard standings, grassed areas etc. are acceptable providing that where children may play or otherwise come into contact with discharges a wire cage or similar guard is positioned to prevent contact, whilst maintaining visibility.
- iii Discharges at high level; e.g. into a metal hopper and metal down pipe with the end of the discharge pipe clearly visible (tundish visible or not) or onto a roof capable of withstanding high temperature discharges of water and 3m from any plastics guttering system that would collect such discharges (tundish visible).
- iv Where a single pipe serves a number of discharges, such as in blocks of flats, the number served should be limited to not more than 6 systems so that any installation discharging can be traced reasonably easily. The single common discharge pipe should be at least one pipe size larger than the largest individual discharge pipe (D2) to be connected. If unvented hot water storage systems are installed where discharges from safety devices may not be apparent i.e. in dwellings occupied by blind, infirm or disabled people, consideration should be given to the installation of an electronically operated device to warn when discharge takes place.

NOTE: The discharge will consist of scalding water and steam. Asphalt, roofing felt and non-metallic rainwater goods may be damaged by such discharges.

WORKED EXAMPLE OF DISCHARGE PIPE SIZING:

The example below is for a G $\frac{1}{2}$ " temperature relief valve with a discharge pipe (D2) having 4 No. elbows and length of 7m from the tundish to the point of discharge.

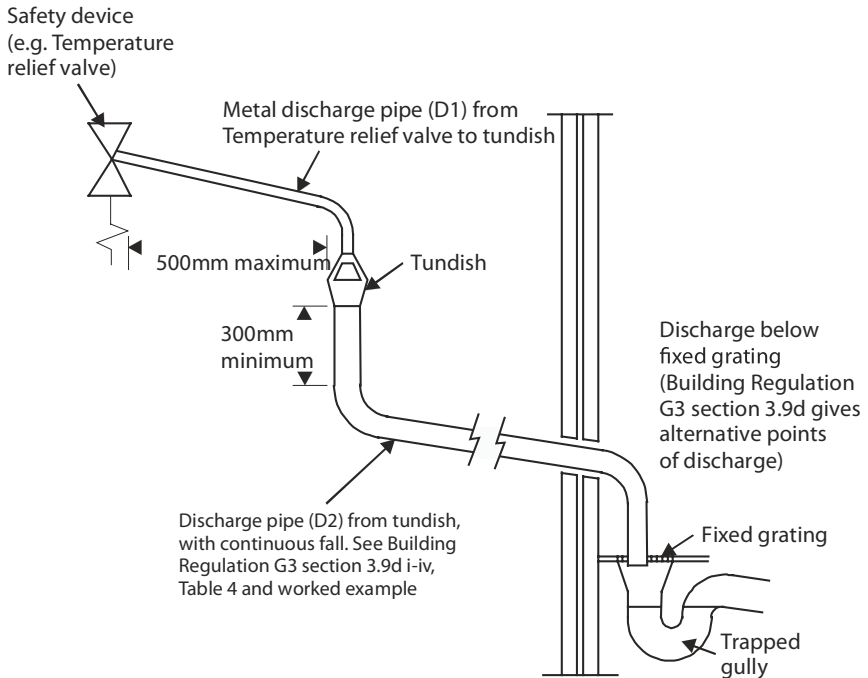
From Table 1 (below):

- Maximum resistance allowed for a straight length of 22mm copper discharge pipe (D2) from a G $\frac{1}{2}$ " temperature relief valve is 9.0m.
- Subtract the resistance for 4 No. 22mm elbows at 0.8m each = 3.2m
- Therefore the permitted length equates to: 5.8m
- 5.8m is less than the actual length of 7m therefore calculate the next largest size.
- Maximum resistance allowed for a straight length of 28mm pipe (D2) from a G $\frac{1}{2}$ temperature relief valves equates to 18m.
- Subtract the resistance of 4 No. 28mm elbows at 1.0m each = 4.0m
Therefore the maximum permitted length equates to: 14m
- As the actual length is 7m, a 28mm (D2) copper pipe will be satisfactory.

TABLE 01: SIZING OF COPPER DISCHARGE PIPE (D2) FOR COMMON T & P RELIEF VALVE SIZES.

VALVE OUTLET SIZE	MINIMUM SIZE OF DISCHARGE PIPE D1	MINIMUM SIZE OF DISCHARGE PIPE D2 FROM TUNDISH	MAXIMUM RESISTANCE ALLOWED, EXPRESSED AS A LENGTH OF STRAIGHT PIPE (I.E. NO ELBOWS OR BENDS)	RESISTANCE CREATED BY EACH ELBOW OR BEND
G 1/2	15MM	22mm 28mm 35mm	UP TO 9M UP TO 18M UP TO 27M	0.8M 1.0M 1.4M
G 3/4	22MM	28mm 35mm 42mm	UP TO 9M UP TO 18M UP TO 27M	1.0M 1.4M 1.7M
G 1	28MM	35mm 42mm 54mm	UP TO 9M UP TO 18M UP TO 27M	1.4M 1.7M 2.3M

FIGURE 04: SCHEMATIC DISCHARGE PIPE ARRANGEMENT



3.4: ELECTRICAL REQUIREMENTS

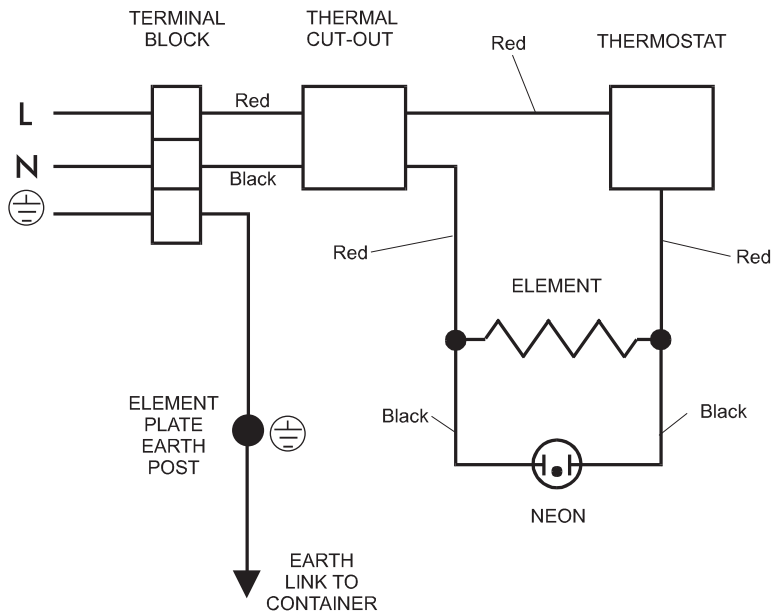
WARNING: This appliance must be earthed. It is suitable for a.c. supply only. Disconnect the electrical supply before removing the terminal cover. Installation must be in accordance with the current I.E.E. Wiring Regulations.

3.4.1 The unit is supplied fitted with a 1.0m 3 core 1.5mm² flexible cable. The electricity supply should be fused 13 Amp for a 3kW model and 5 Amp for a 1kW model and be via a double pole isolating switch with a contact separation of at least 3mm in both poles. Refer to the schematic wiring diagram below.

3.4.2 The wires are colour coded as follows:

Green and Yellow	EARTH	⊕
Brown	LIVE	(L)
Blue	NEUTRAL	(N)

FIGURE 05: WIRING DIAGRAM



4.0 COMMISSIONING

4.1 PLUMBING

- 4.1.1 Do not switch on the electrical supply until the unit has been filled with water and checked for leaks.
- 4.1.2 Check that all installation, electrical and discharge pipe requirements have been met.
- 4.1.3 Check that all water and electrical connections are tight.
- 4.1.4 Open a hot water tap, turn on mains water supply to the heater.
- 4.1.5 Allow unit to fill and leave hot tap running for a short while to purge any air and flush out the pipework. Close the hot tap and check the system for leaks.
- 4.1.6 Manually test the operation of the Temperature/Pressure Relief Valve and, if fitted, the Pressure (expansion) Relief Valve. Ensure water flows freely from the valve(s) and through the discharge pipes.

4.2 ELECTRICAL

- 4.2.1 Switch on the electrical supply. The indicator light will illuminate during heating. When the set temperature is reached the indicator light will go out.
- 4.2.2 The set temperature can be adjusted by rotating the knob located in the terminal cover. It is possible to lock the thermostat knob in either the mid-range or a “hot” position by following the procedures in 7.9 or 7.10 below.. Always switch off the electrical supply before removing the terminal cover.
- 4.2.3 Setting the “mid-range” position:
Rotate the thermostat knob to the mid position. Remove the terminal cover by using a large flat bladed screwdriver to depress the four snap lugs located in the four rectangular depressions on the bottom cover. Holding the thermostat knob in position turn the terminal cover over and remove the backing disc from the underside of the cover. Turn the backing disc over and refit to the knob ensuring the notch locates with the boss on the underside of the cover. Refit the terminal cover, the thermostat will now be locked in the “mid-range” position.
- 4.2.4 Setting the “hot” position:
Rotate the thermostat knob to mid way through the hot graduated range (red graphic). Follow the procedure detailed above, however in this case the knob should be held in the “hot” position previously set. When the terminal cover has been refitted the thermostat will be locked in the “hot” position. This position is recommended when using the heater in conjunction with a thermostatic blending valve.

5.0 USER DEMONSTRATION

Following installation and commissioning of the water heater, the operation should be fully explained to the user.

5.1 HOT WATER

1. Indicate the location of the water heater and identify the outlets to which it is connected.
2. Explain that the temperature is set upon installation and confirm the temperature which the water heater is set at.

5.2 SYSTEM MALFUNCTION

1. Explain how to isolate electrical and water supplies in case of a fault.
2. Explain that a qualified plumber and/or electrician should be contacted if there is a fault.
3. Explain how to identify/check basic faults.

5.3 SYSTEM MAINTAINANCE

Explain the necessity to carry out regular maintenance of the water heater to ensure its continued safe and efficient operation.

5.4 LITERATURE

Hand over the Installation and user Instructions.

- 14.1 The Multipoint unvented heater stores water at the temperature set on the adjustable thermostat. This can be set to give temperatures in the range of 10 to 75°C. To avoid any risk of freezing when the heater is not in use for long periods during the winter months, do not switch off the electrical supply and set the thermostat to its minimum position. N.b. This will not protect other system pipework.
- 14.2 The thermostat can also be locked in either the mid range or a “hot” (recommended when using in conjunction with a thermostatic blending valve) position. To lock the thermostat position the instructions given under Sections 7.9 or 7.10 should be followed. We recommend that this procedure is carried out by a qualified electrician.
- 14.3 The indicator light will be illuminated when the unit is heating.
- 14.4 To ensure the heater continues to operate at its optimum performance it should be periodically maintained in accordance with the instructions given under the sections headed MAINTENANCE.

14.5 IMPORTANT NOTES TO USER

Do not block or restrict the discharge from any safety valve fitted.

Do not tamper with any safety valve fitted.

If water discharges from any safety valve fitted, switch off the electrical supply to the unit immediately. Contact the Heatrae Sadia Service Team (Tel: 0844 8711535) or an approved installer. Do not turn the electrical supply on again until the unit has been checked and approved by a qualified installer.

6.0 MAINTENANCE

Warning: disconnect from all electrical supplies before beginning any work on the unit. Water contained in the heater may be very hot.

To ensure the continued safe and efficient operation of the unit, it should be regularly maintained.

Maintenance should be carried out by a competent person and any replacement parts used should be authorised Heatrae Sadia spare parts.

Little maintenance is required, however in hard water areas the unit will require periodic descaling to ensure efficient operation. To descale the unit:

- 6.1 Switch off and disconnect the electrical supply. Turn off the water supply to the unit.
- 6.2 Open a hot tap to relieve any system pressure. Empty unit by opening the drain cock in the inlet pipework.
- 6.3 Remove the terminal cover by using a large flat bladed screwdriver to depress the 4 snap lugs located in the 4 rectangular depressions on the bottom cover.
- 6.4 Disconnect the electrical terminations to the element. Disconnect earth links to the earthing stud. Withdraw the thermostat and thermal cut-out capillary tubes from the pocket on the element plate.
- 6.5 Remove the element plate assembly by unscrewing the five securing screws, tapped jacking holes are provided (NOTE: a quantity of water may still be present in the container, it is recommended that a container be placed under the unit to collect any spillage). Remove any loose scale from the container. Carefully clean off any scale from the element and thermostat pocket. DO NOT clean scale from interior container walls.
- 6.6 Re-assemble the element plate assembly fitting a new sealing gasket. Rewire the unit with reference to the Wiring Diagrams.
- 6.7 Re-commission the unit following the INSTALLATION and COMMISSIONING instructions.

- 6.8 The temperature/pressure relief valve and the pressure (expansion) relief valve should be regularly checked. To check the valves:
- 6.9 Manually operate the valves by either twisting the cap or lifting the lever. Ensure water flows freely from the valve(s) and through the discharge pipes (NOTE: the water discharged may be very hot). Ensure the valve(s) reseat correctly when released.
- 6.10 Clean the strainer incorporated in the pressure reducing valve. To inspect and clean the strainer turn off the mains water supply to the heater and open a hot tap to relieve the system pressure. Unscrew the black cap from the pressure reducing valve and remove. The strainer will be removed with the cap. Wash any particulate matter from the strainer under clean running water. Replace the cap assembly ensuring the sealing ring is correctly fitted. Do not use any other type of sealant. Close hot tap, open mains stop cock and check for leaks.

The expansion vessel should have a precharge pressure of 0.35 MPa (3.5 bar). This can reduce over time and eventually require re-charging. To do this:

- 6.11 Turn off water supply to the unit; open a hot tap to relieve system pressure.
- 6.12 Remove dust cap from top of expansion vessel.
- 6.13 Check pre-charge pressure using a tyre pressure gauge. If the pressure is lower than 0.35 MPa (3.5 bar) it should be recharged using a tyre pump (Schraeder valve type). **DO NOT OVER CHARGE.**
- 6.14 Re-check pressure and when correct replace dust cap.
- 6.1.5 Turn on mains water supply and close hot tap.

7.0 FAULT FINDING

Disconnect the electrical supply before removing the terminal cover. It is recommended that any service operations on the Multipoint heater are carried out by a competent person.

FAULT	POSSIBLE CAUSES	ACTION
Water not heating	1. Electrical supply fault	1. Check electrical supply
	2. Thermal cut-out tripped	2. Check cut-out, if operated reset and check thermostat operation. If necessary replace thermostat/thermal cut-out (see Wiring Diagram)
	3. Thermostat fault	Check thermostat operation Replace if necessary.
Discharge of water from pressure relief valve pressure (continuously).	Excessive mains water pressure	Fit Pressure Reducing Valve Pack U1 and U2 (see IMPORTANT INSTALLATION POINTS)
Discharge of water from pressure relief valve (intermittently).	1. Expansion in mains not possible	1. Fit Pack U2 (see IMPORTANT INSTALLATION POINTS)
	2. Mains pressure exceeds 0.41 Mpa (4.1 bar)	2. Fit Packs U1 and U2
	3. Pack U1 fitted without Pack U2	3. Fit Pack U2 when using Pack U2
	4. Pressure Relief Valve Fault	4. Replace Pressure Relief Valve
	5. Loss of pressure from Expansion Vessel	5. Check and, if necessary, re-charge Expansion Vessel pre-charge pressure (see section 9.0)
Discharge of water from Temperature/Pressure relief valve and/or water/steam from pressure relief valve	Thermostat and thermal cut out fault	Replace thermostats and thermal cut outs
No water flow	1. Inlet valves incorrectly fitted	Check all valves are correctly installed in accordance with flow direction arrows
	2. Mains water supply not turned on	2. Check mains water supply is on
	3. Blockage in main water supply	Check for obstructions. If Pack U1 is fitted check the strainer is not blocked
"Milky water"	Oxygenated water	Water from a pressurised system releases oxygen bubbles when flowing. The milkiness will disappear after a short while.

8.0 SPARE PARTS

The following comprehensive list of spare parts is available for your Multi-point water heater. Please refer to the rating label on the side of your heater before ordering to ensure the correct spare part is obtained.

DO NOT REPLACE WITH PARTS NOT RECOMMENDED BY HEATRAE SADIA - THIS WILL INVALIDATE YOUR GUARANTEE AND MAY RENDER THE INSTALLATION DANGEROUS.

DESCRIPTION	CODE NO.
Element plate assembly - 30/50 litre 3kW	95 606 926
Element plate assembly - 30/50 litre 1kW	95 606 925
Thermostat	95 612 667
Thermal cut-out	95 612 666
Indicator light	95 607 995
Element plate gasket.....	95 611 708
Pressure (expansion) relief valve	95 607 986
Temperature/pressure relief valve	95 607 994
Check valve	95 607 987
Expansion vessel.....	95 607 675
Pressure reducing valve	95 607 989
Terminal cover c/w thermostat knob.....	95 614 184

9.0 ACCESSORIES

The heater can be used to supply several hot water outlets via conventional taps. It is not recommended for supplying a shower. Individual site demands should be considered when choosing capacity and the number of outlets to be served.

A thermostatic blending valve can be used in conjunction with this unit. Accessory pack U3 (code no. 95 970 354) is recommended. Follow the installation instructions supplied with the valve for connection to the system.

10.0 GUARANTEE

This water heater is guaranteed for a period of five years from the date of purchase with the exception of the element and thermal controls which are guaranteed for a period of two years provided:

1. The unit has been installed in accordance with these instructions and all necessary inlet controls and safety valves have been fitted correctly.
2. Any valves or controls are of Heatrae Sadia recommended type.
3. The unit has not been tampered with and has been regularly maintained as detailed in these instructions.
4. The unit has been used only for heating potable water.
5. Within 60 days of installation, the user completes and return certificate supplied along with proof of purchase to register the product.

The unit is not guaranteed against damage by frost and the immersion heater is not guaranteed against excessive scale build up. This guarantee does not affect the statutory rights of the consumer.

11.0 ENVIRONMENTAL INFORMATION

The Waste Electrical and Electronic Equipment (Producer Responsibility) Regulation 2004

This product is outside of the scope of the European Waste Electrical & Electronic Equipment Directive as interpreted within the UK.

In the UK this product can therefore be disposed of through commercial non-WEEE waste facilities.

Heatrae Sadia does not accept any liability under the WEEE directive.

This product is manufactured from many recyclable materials. At the end of its useful life it should be disposed of at a Local Authority Recycling Centre to realise the full environmental benefits.

Insulation is by means of CFC-free polyurethane foam.

12.0 SPARES STOCKISTS

For the fast and efficient supply of spares, please contact the stockists listed below:

Advanced Water Company Ltd.
Unit D5 Enterprise Way, Vale Park,
Evesham, Worcs, WR11 1GS
Tel: 01386 760066
Fax: 01386 760077

Electric Water Heating Co.
2 Horsecroft Place, Pinnacles
Harlow, Essex, CM19 5BT
Tel: 0845 0553811
E-Mail: sales@ewh.co.uk

SPD
Units 9 & 10 Hexagon Business Centre
Springfield Road, Hayes, Middlesex, UB4 0TY
Tel: 020 8606 3567

Parts Centre
Tel: 0845 2709800
www.partscentre.co.uk

Newey & Eyre
Specialist Products Division
Please contact your local branch

UK Spares Ltd.
Tower Lane, Warmley
Bristol, BS30 8XT
Tel: 0117 961 6670

William Wilson Ltd.
Unit 3A, 780 South Street
Whiteinch, Glasgow, G14 OSY
Tel: 0141 434 1530

HEATRAE SADIA

The quality name in water heating

Heatrae Sadia Heating
Hurricane Way Norwich NR6 6EA
www.heatraesadia.com

Customer Service

Tel: 0344 8711535
Fax: 0344 8711528
E-mail: heatraesadia.service@heateam.co.uk

36005720_issue_06